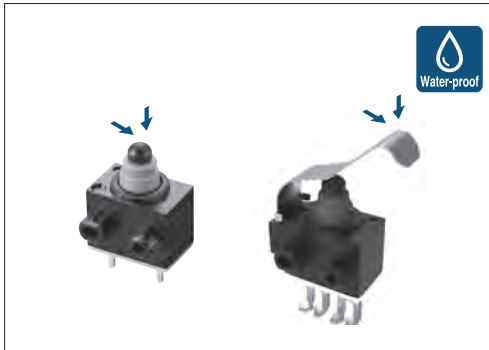


Industry's smallest size, with main unit dimensions of 8.3×5.3×7mm



Typical Specifications

Items		Specifications	
		Standard type	With internal resistor type
Rating (max.)/(min.) (Resistive load)		0.1A 12V DC/50μA 5V DC	
Contact resistance (Initial / After operating life)		500mΩ max./1Ω max. (Standard type)	Respond individually
		500mΩ max./3Ω max. (Long-life type)	
Electrical output		—	
Operating force		Push 1 ±0.5N Actuator type 3N max.	1 ±0.5N
Operating life	Without load	300,000cycles (Standard type) 1,000,000cycles (Long-life type)	300,000cycles
	With load	300,000cycles (Standard type) 1,000,000cycles (Long-life type)	Respond individually

Product Line

Poles	Positions	Operating part shape	Circuit	Terminal type	Main body form	Minimum order unit (pcs)		Packing specifications type	Product No.		Drawing No.	
						Japan	Export		Standard type	Long-life type		
1	1	Push	N.O.	For PC board	Boss-both sides	1,755	7,020	A	SPVQ810102	SPVQ830102	1	
				Angle	Boss-single side				SPVQ810302	SPVQ830302	2	
				For PC board	Without boss				SPVQ810402	SPVQ830402	3	
					Boss-single side				SPVQ810502	SPVQ830502	4	
				For Lead	Boss-single side				SPVQ810602	SPVQ830602	5	
					Boss-both sides				SPVQ810704	SPVQ830702	6	
				Press-fit (normal type)	Boss-single side				SPVQ810802	SPVQ830802	7	
				Press-fit (short type)	Boss-single side				SPVQ811006	SPVQ831002	8	
				N.C.	For PC board				Boss-both sides	SPVQ820102	—	1
					Angle				Boss-single side	SPVQ820302	—	9
					For PC board				Without boss	SPVQ820402	—	3
									Boss-single side	SPVQ820502	—	4
					For Lead				Boss-single side	SPVQ820602	—	10
									Boss-both sides	SPVQ820705	—	11
			N.O.	With wire (Downwards)	Boss-single side	SPVQ820802	—	7				
				With wire (Downwards)	Boss-both sides	SPVQ821006	—	12				
				With wire (Left side)	Boss-single side	SPVQ821500	—	20				
				With wire (from side)	Boss-both sides	SPVQ850101*	—	13				
					Boss-both sides	SPVQ850201*	—	14				
				With wire (Downwards)	Boss-single side	SPVQ850301*	—	15				
					Boss-both sides	SPVQ850501*	—	16				
				With wire (Downwards)	Boss-single side	SPVQ860101*	—	17				
					Boss-both sides	SPVQ860200*	—	14				
				With wire (Left side)	Boss-single side	SPVQ860301*	—	18				
					Boss-both sides	SPVQ860500*	—	16				
				Actuator	N.O.	For Lead	1,080	4,320	C	SPVQ812600	—	21
			Press-fit (normal type)			SPVQ812400				—	22	
			Press-fit (short type)			SPVQ812200				—	23	
			For Lead			SPVQ812700				—	24	
			Press-fit (normal type)			SPVQ812500				—	25	
			Press-fit (short type)			SPVQ812300				—	26	
			N.C.		For Lead	Boss - single side (right)	SPVQ822500	—	27			
					Press-fit (normal type)		SPVQ822300	—	28			
					Press-fit (short type)		SPVQ822100	—	29			
					For Lead		SPVQ822600	—	30			
					Press-fit (normal type)		SPVQ822400	—	31			
Press-fit (short type)	SPVQ822200	—			32							
Push	For PC board	1,755			7,020		A	SPVQ8R02*	—	33		
	Press-fit (normal type)							SPVQ8R06*	—	34		
	Press-fit (short type)				SPVQ8R01*	—	35					

SPVQ8 Water-proof Type

Detector

Slide

Push

Rotary

Power

Dual-in-line
Packager Type

General-
purpose Type

Water-proof
Type

Fast Switching
Type

Notes

- ※ Products with a wire will be supplied as follows.
 - Unless specified, the length of the lead wire is 250mm. Color is either red or black. Please consult us for modification.
 - Please specify circuits (N.O. or N.C.) for wired (side) types. Unless specified, the circuit will apply N.O.
 - Product with wire will be build-to-order.
- ※ Resistance specifications for SPVQ8R (internal resistor type) will be accommodated individually. Please inquire.
- This unit cannot be used in water (IP67 rating, except for terminal).

Packing Specifications

Tray

Packing specifications type	Number of packages (pcs.)		Export package measurements (mm)
	1 case /Japan	1 case /export packing	
A	1,755	7,020	540×360×270
C	1,080	4,320	540×360×270

Bulk

Packing specifications type	Number of packages (pcs.)		Export package measurements (mm)
	1 case /Japan	1 case /export packing	
B	400	1,600	555×375×223

Dimensions

Unit:mm

No.	Style	No.	Style
1		4	
2		5	
3		6	

Dimensions

Unit:mm

No.	Style	No.	Style
7		11	
8		12	
9		13	
10		14	

Detector

Slide

Push

Rotary

Power

Push-line Package Type

General-purpose Type

Water-proof Type

Fast Switching Type

SPVQ8 Water-proof Type

Dimensions

Unit:mm

No.	Style	No.	Style
15		19	
16		20	
17		21	
18		22	

■ Dimensions

Unit:mm

No.	Style	No.	Style
23		27	
24		28	
25		29	
26		30	

Detector
Slide
Push
Rotary
Power
Dial-in-line Package Type
General-purpose Type
Water-proof Type
Fast Switching Type

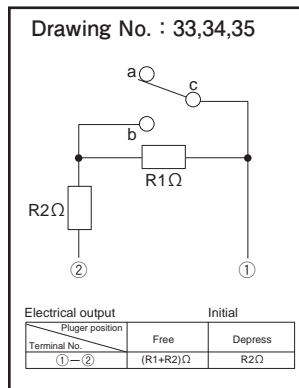
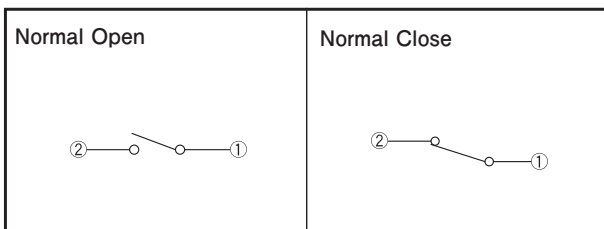
SPVQ8 Water-proof Type

Dimensions

Unit:mm

No.	Style	No.	Style
31	<p>Limit total travel position Terminal No.①-② ON-OFF operating position Free position</p> <p>Color: BROWN</p> <p>Terminal No.②</p> <p>Terminal No.①</p>	34	<p>Limit total travel position Terminal No.①-② ON-OFF operating position Free position</p> <p>THE TOP OF PLUNGER (MEASUREMENT POSITION)</p> <p>TERMINAL No.②</p> <p>TERMINAL No.①</p>
32	<p>Limit total travel position Terminal No.①-② ON-OFF operating position Free position</p> <p>COLOR: BROWN</p> <p>Terminal No.②</p> <p>Terminal No.①</p>	35	<p>Limit total travel position Terminal No.①-② ON-OFF operating position Free position</p> <p>THE TOP OF PLUNGER (MEASUREMENT POSITION)</p> <p>TERMINAL No.②</p> <p>TERMINAL No.①</p>
33	<p>Limit total travel position Terminal No.①-② ON-OFF operating position Free position</p> <p>THE TOP OF PLUNGER (MEASUREMENT POSITION)</p> <p>TERMINAL No.②</p> <p>TERMINAL No.①</p>		

Circuit Diagram

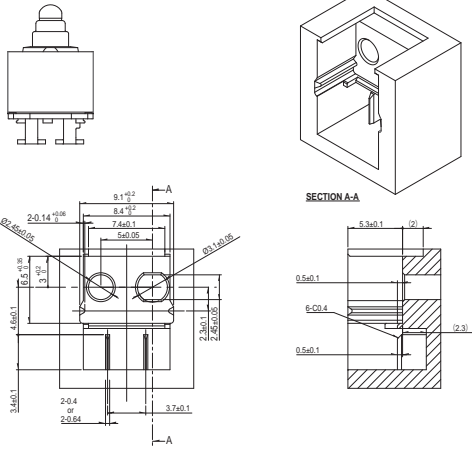


Recommended Unit Terminal Shape for Press-Fit Terminals (Normally Open)

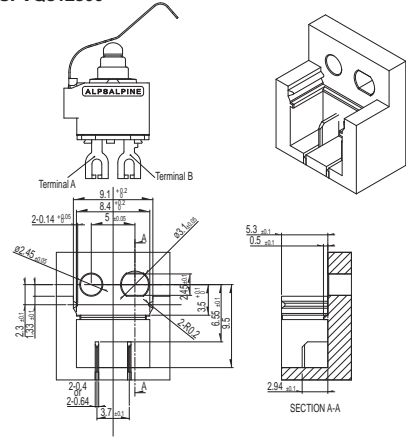
Unit:mm

Style	
-------	--

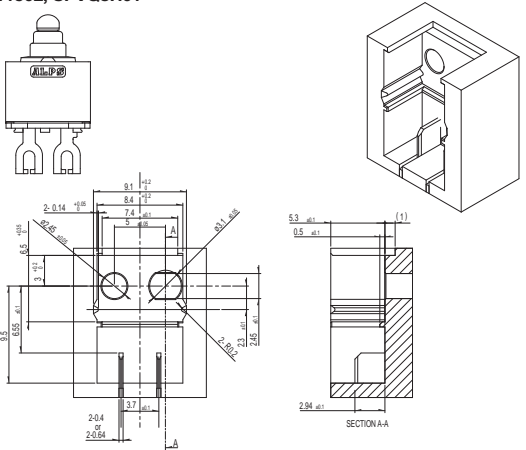
SPVQ811006, SPVQ831002, SPVQ8R06



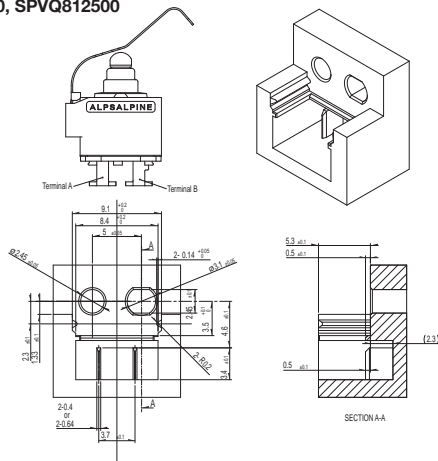
SPVQ812200, SPVQ812300



SPVQ811502, SPVQ8R01



SPVQ812400, SPVQ812500



Detector

Slide

Push

Rotary

Power

Dual-in-line
Package Type

General-
purpose Type

Water-proof
Type

Fast Switching
Type

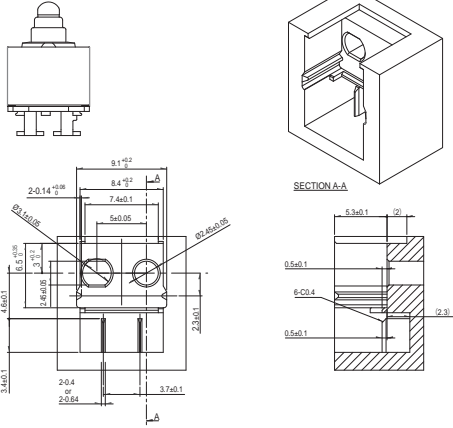
SPVQ8 Water-proof Type

Recommended Unit Terminal Shape for Press-Fit Terminals (Normally Closed)

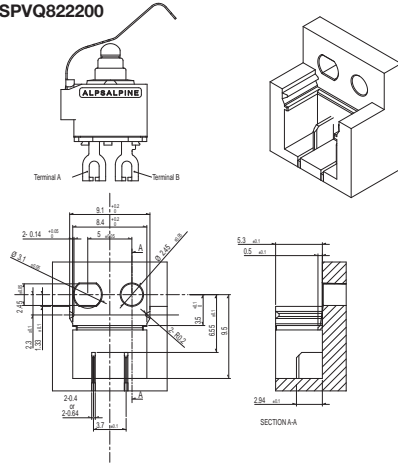
Unit:mm

Style

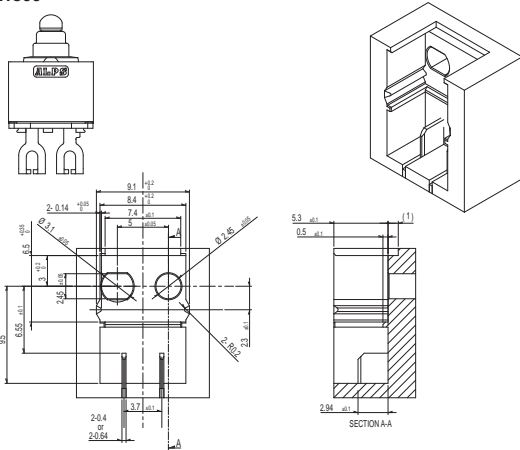
SPVQ821006



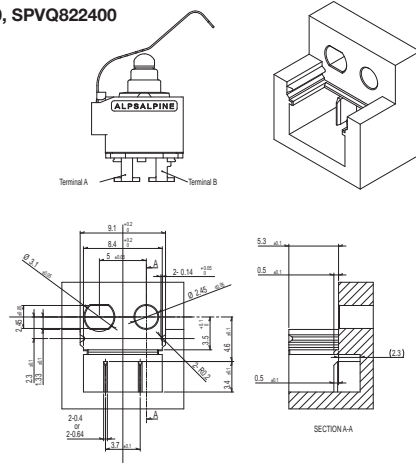
SPVQ822100, SPVQ822200



SPVQ821500



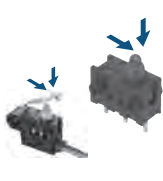
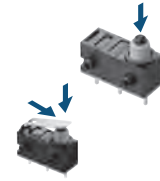
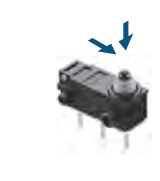
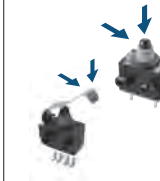






SPVQ822300, SPVQ822400



- Detector
- Slide
- Push
- Rotary
- Power
- Dual-in-line Packager Type
- General-purpose Type
- Water-proof Type
- Fast Switching Type

Detector Switches

List of Varieties

Series		Water-proof Type				
		SPVQ3	SPVQ6	SPVQ7	SPVQ8	SPVQ8H
Photo						
Operation type		Two-way	One-way Two-way	Two-way		
Dimensions (mm)	W	13	13.3	14.7	8.3	14.8 17.95
	D	5.8	5.3	5.4	5.3	6.45
	H	8.35	7	6.7	6.5	14.5
Operating temperature range		-40°C to +85°C				
Automotive use		●	●	●	●	●
Life cycle (availability)						
Poles / Positions		1/1 1/2	1/2	1/1 1/2	1/1	
Rating (max.) (Resistive load)		0.1A 12V DC				
Rating (min.) (Resistive load)		50μA 5V DC				
Durability	Operating life without load	300,000cycles 1Ω max.			300,000cycles 1Ω max. or 1,000,000cycles 3Ω max.	100,000cycles 1Ω max.
	Operating life with load Rating (max.) (Resistive load)	300,000cycles 1Ω max.			300,000cycles 1Ω max. or 1,000,000cycles 3Ω max.	100,000cycles 1Ω max.
Electrical performance	Initial contact resistance	500mΩ max.				
	Insulation resistance	100MΩ min. 500V DC				
	Voltage proof	500V AC for 1minute				
Mechanical performance	Terminal strength	3N for 1minute (with terminal) Wire strength 30N for 1minute (with wire)	3N for 1minute		3N for 1minute (with terminal) Wire strength 30N for 1minute (with wire)	Wire strength 110N for 1minute
	Actuator strength	20N				
Environmental performance	Cold	-40°C 500h				
	Dry heat	85°C 500h				
	Damp heat	60°C, 90 to 95% RH 500h				
Operation force		1±0.5N 3N max.		1±0.5N	1±0.5N 3N max.	4.7N max.
Page		43	48	51	53	61

Detector Switches Soldering Conditions	68
Detector Switches Cautions	69

Note

● Indicates applicability to all products in the series.